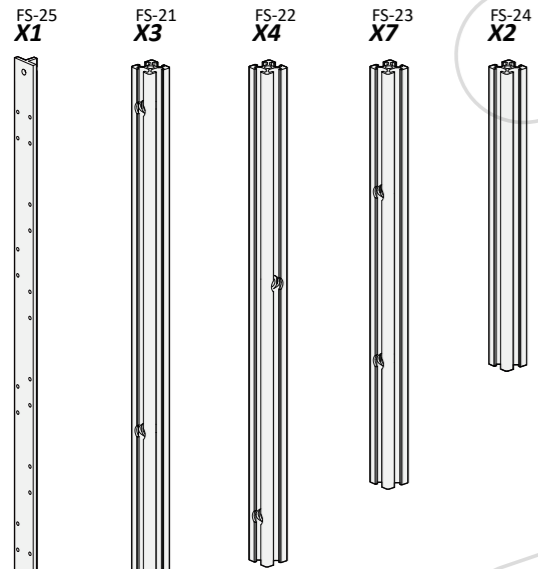
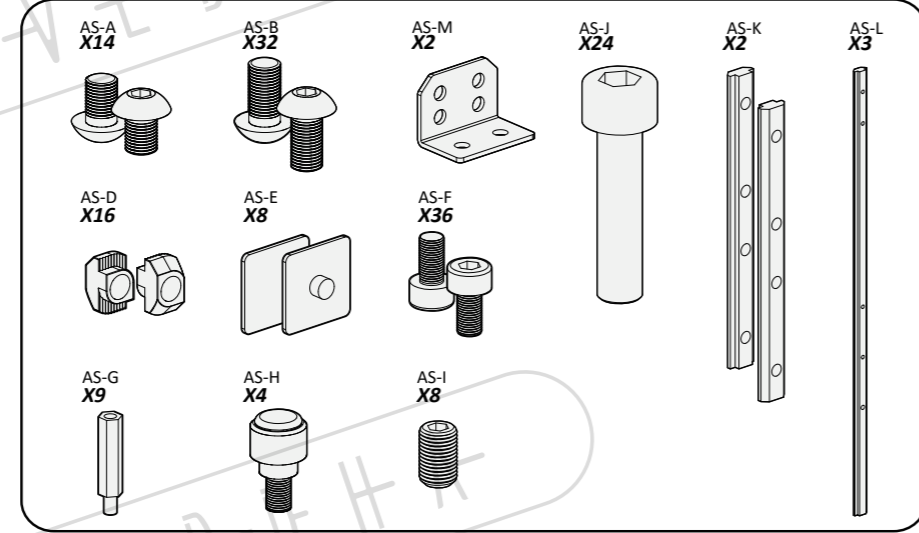


PARTS LIST

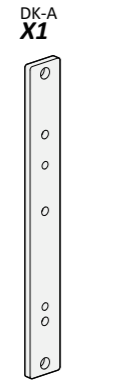
Frame Stick



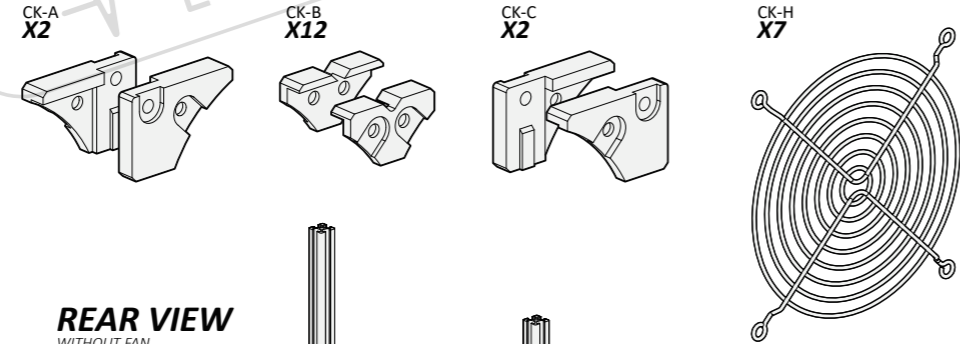
Accessory & Screw



Disk Kit



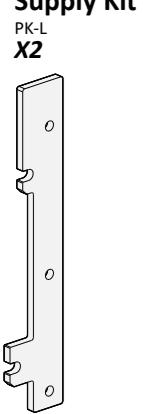
Cooler Kit



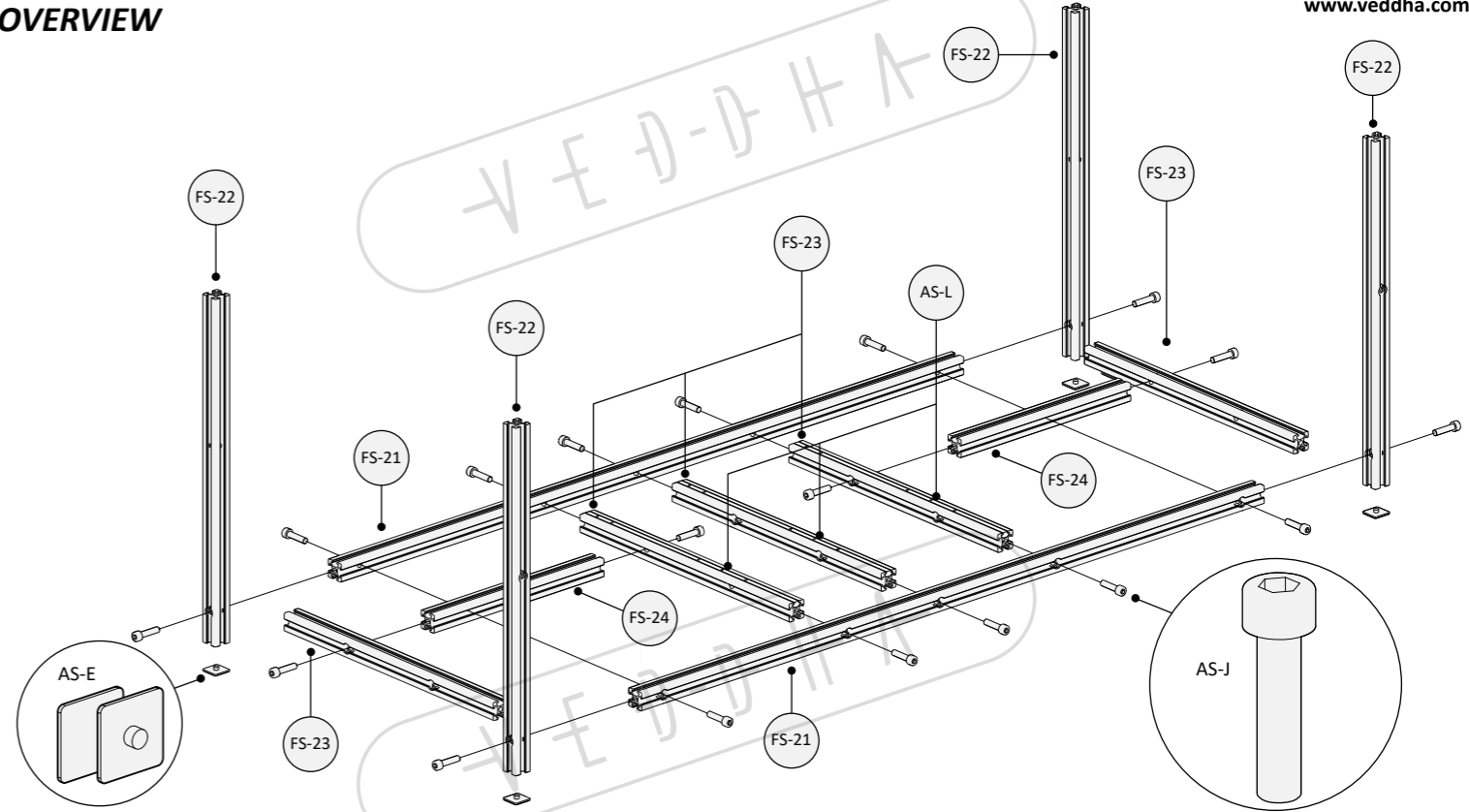
REAR VIEW
WITHOUT FAN

FRONT VIEW

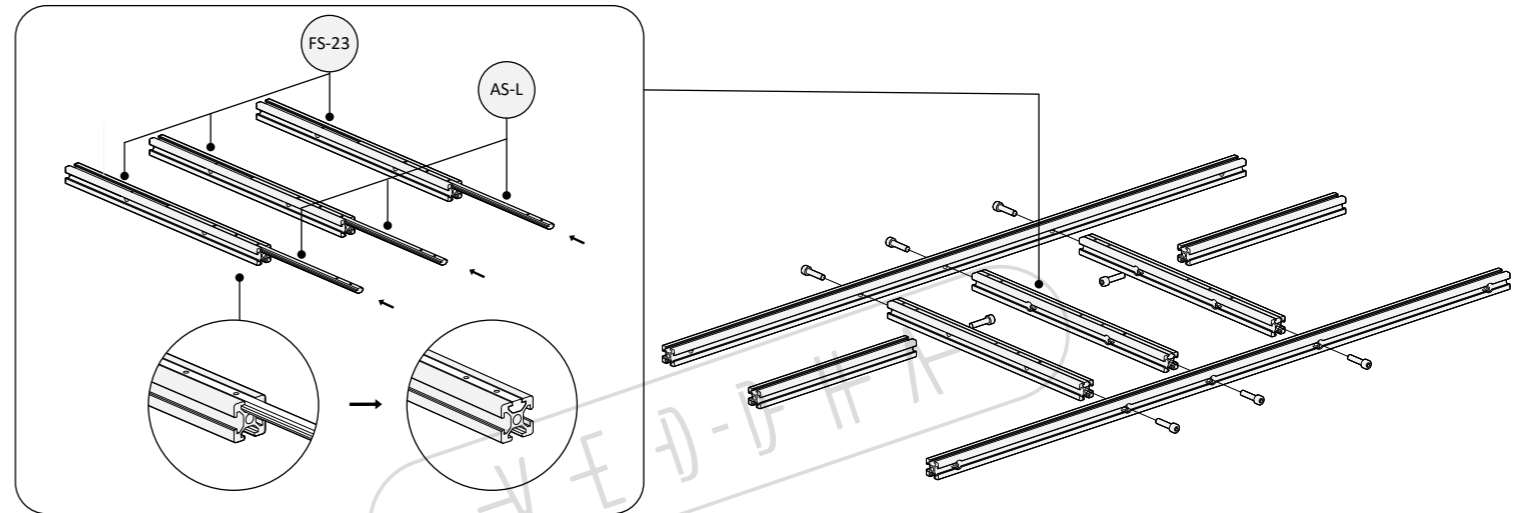
Power Supply Kit



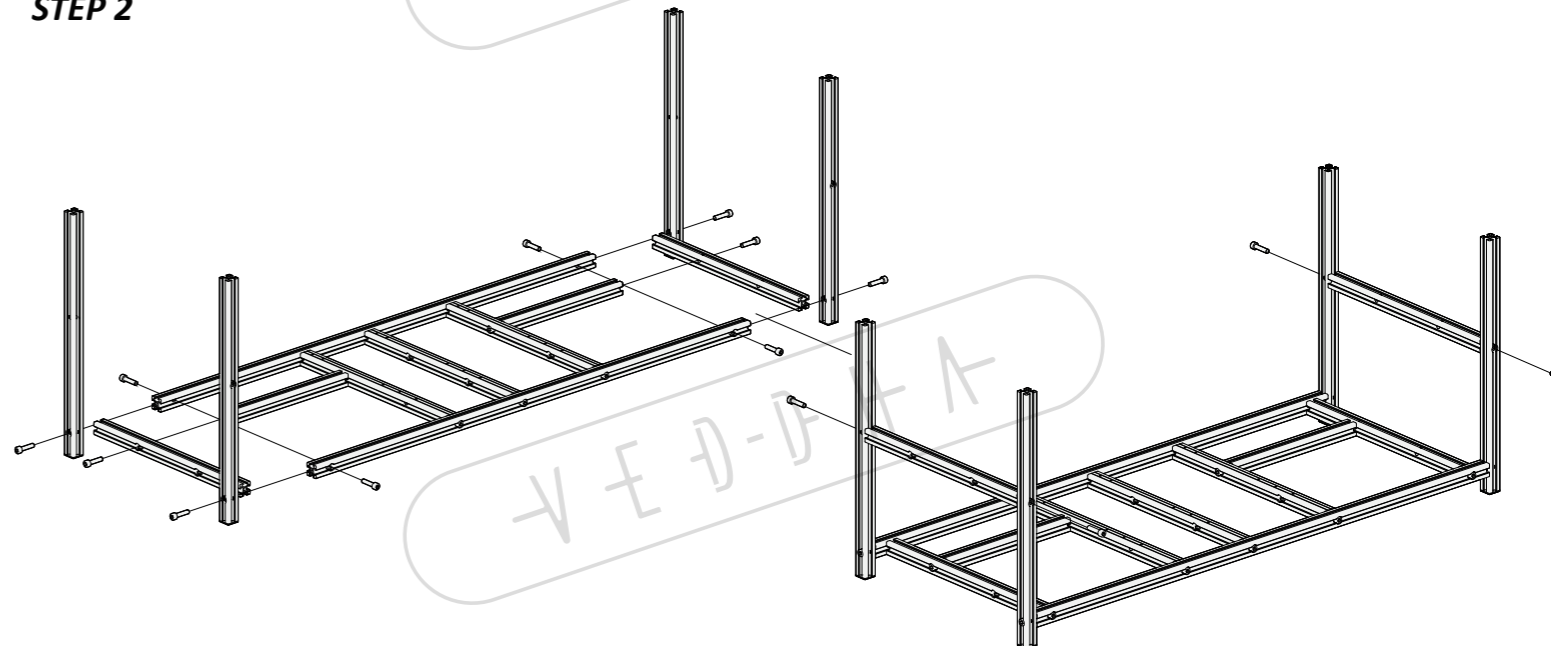
OVERVIEW



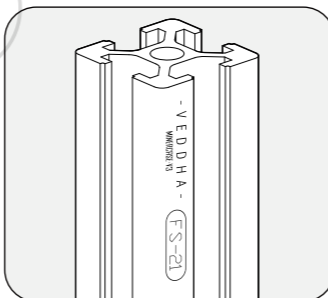
STEP 1



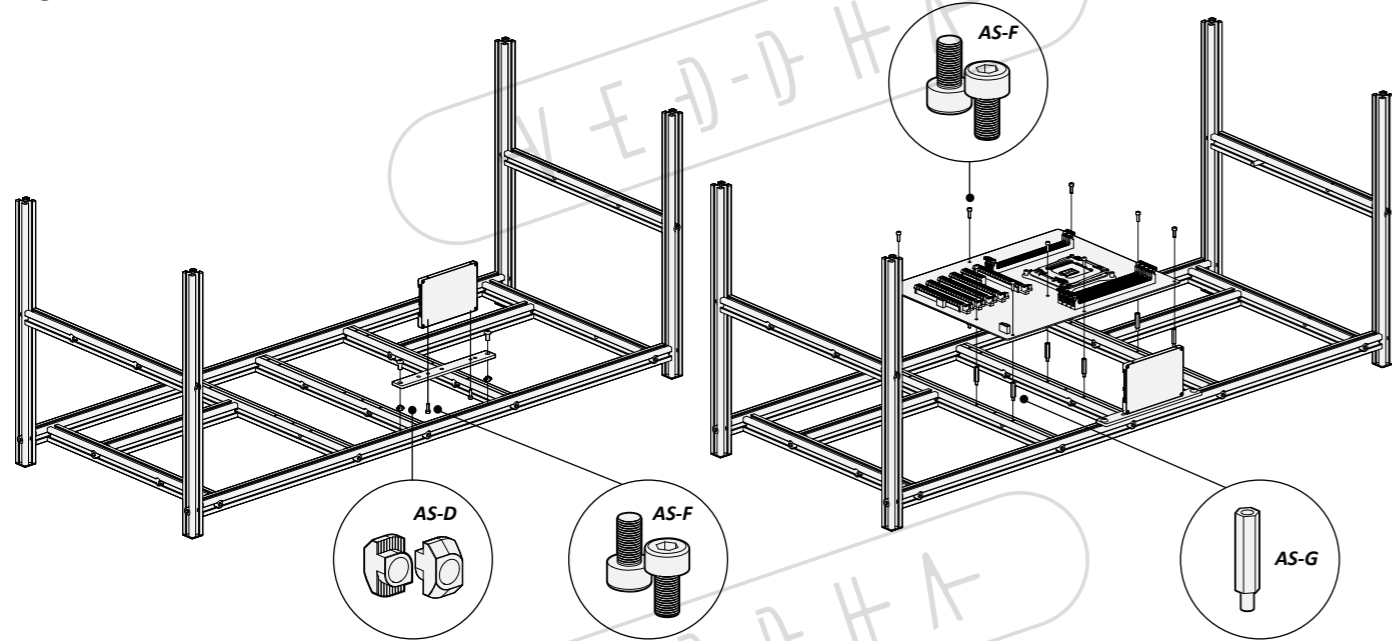
STEP 2



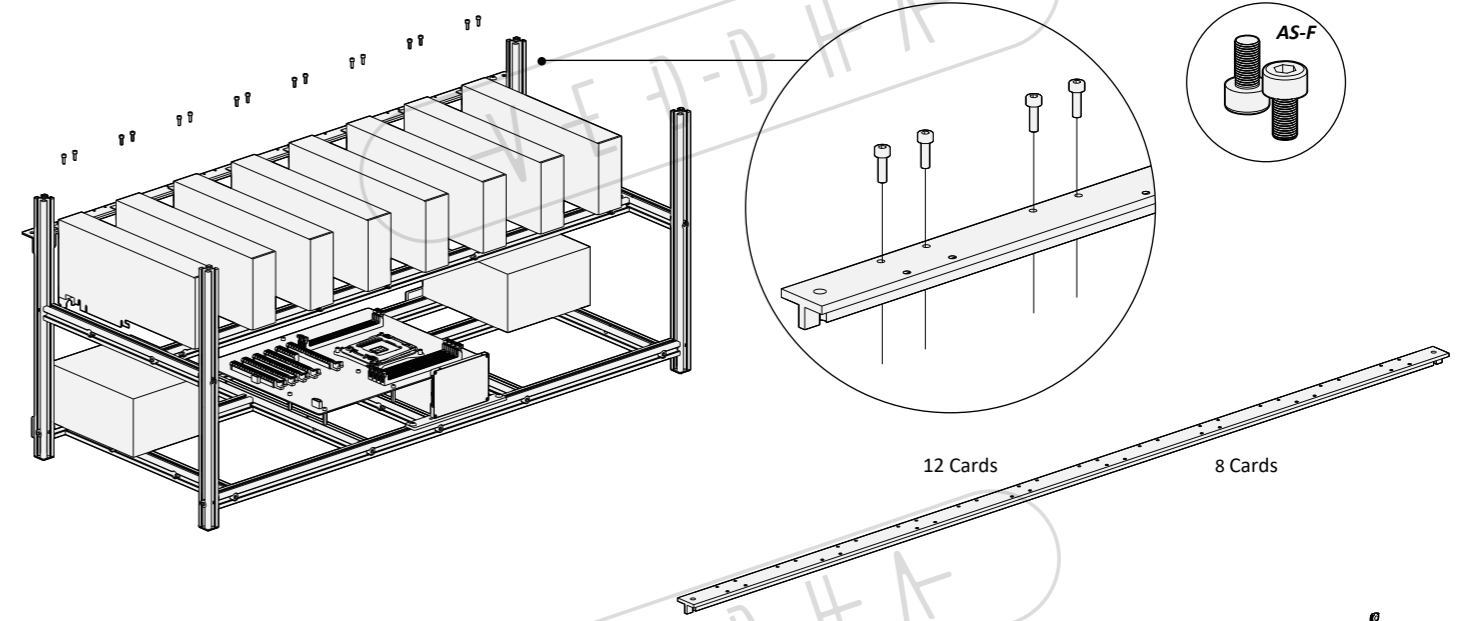
Please read the manual carefully before installation. Each pole is marked with model sign. Please install according to the model sign indicated in the manual.



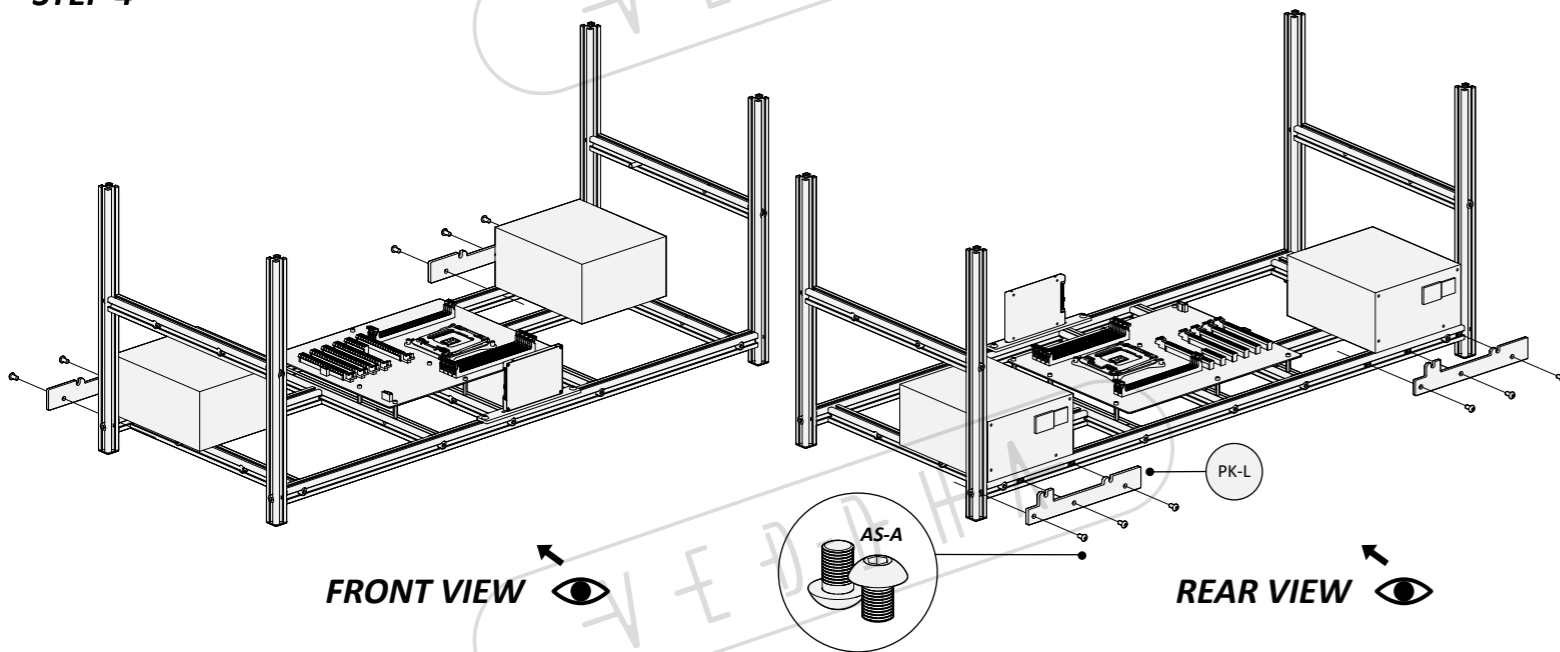
STEP 3



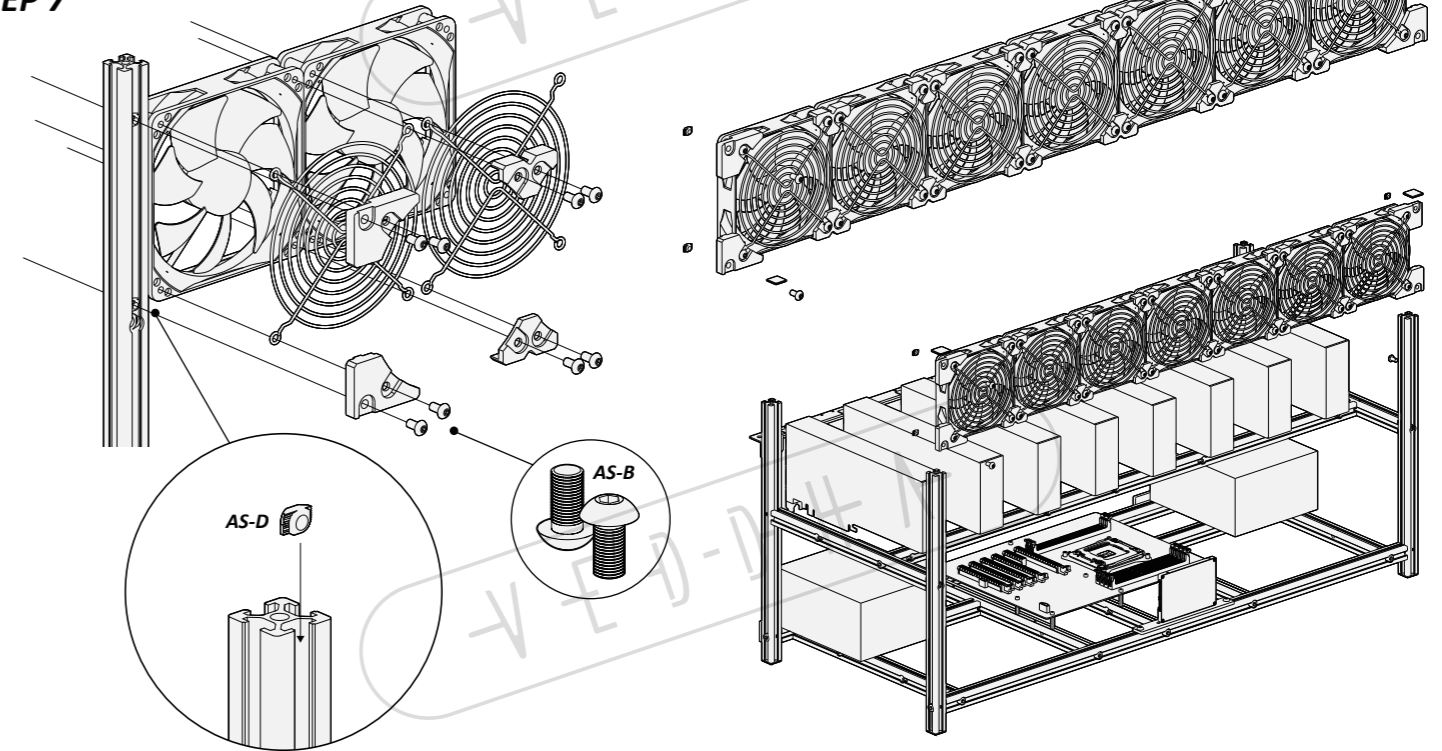
STEP 6



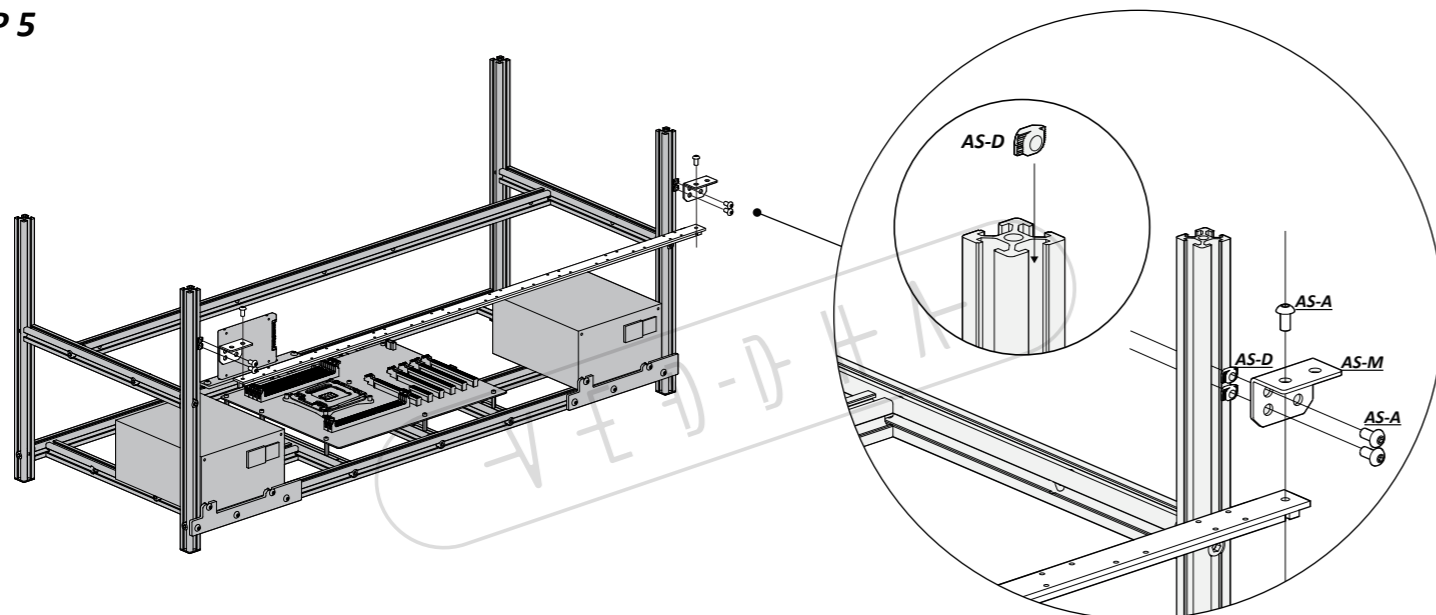
STEP 4



STEP 7



STEP 5



STEP 8 GRAPHICS CARD

